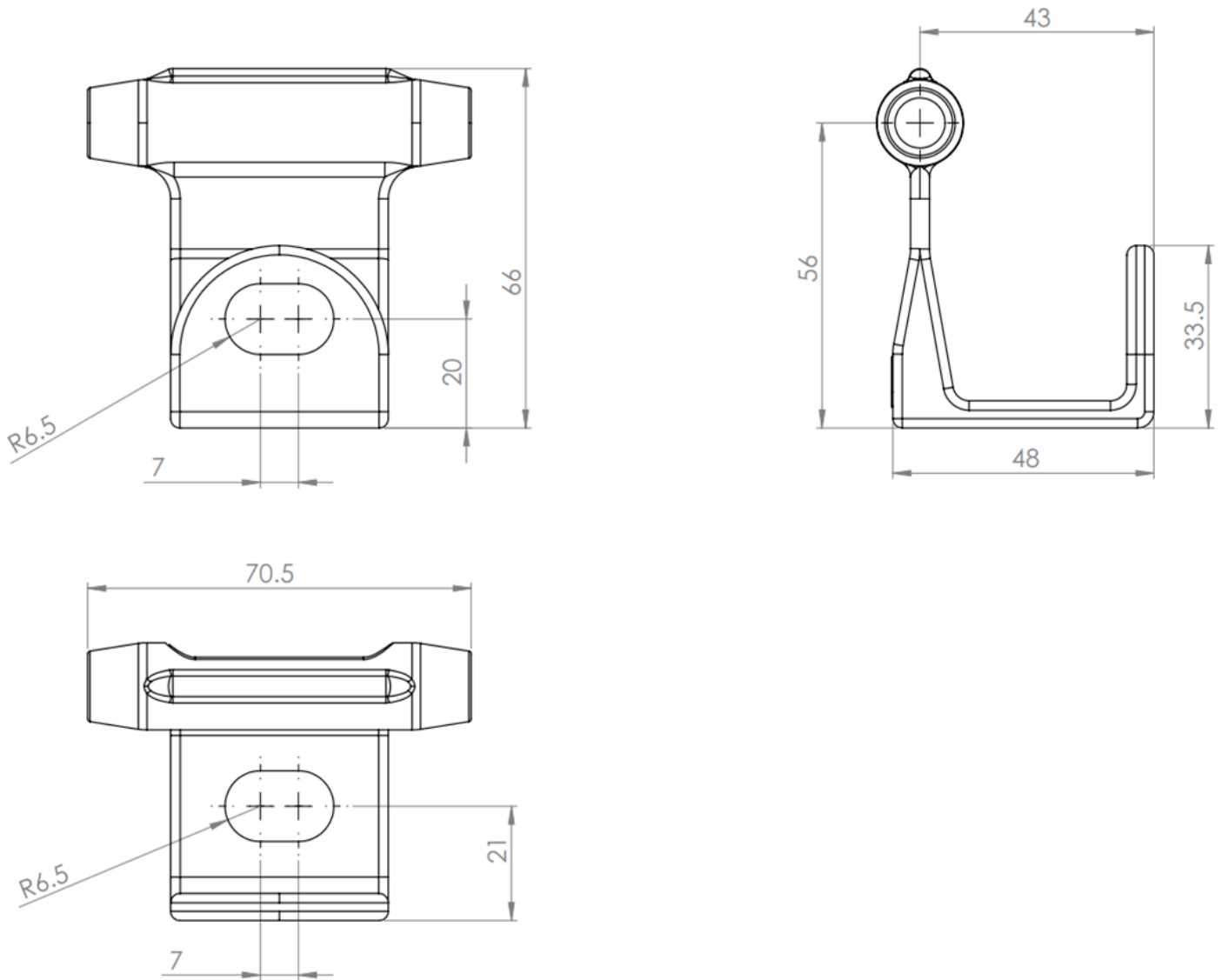


Intermediate Bracket

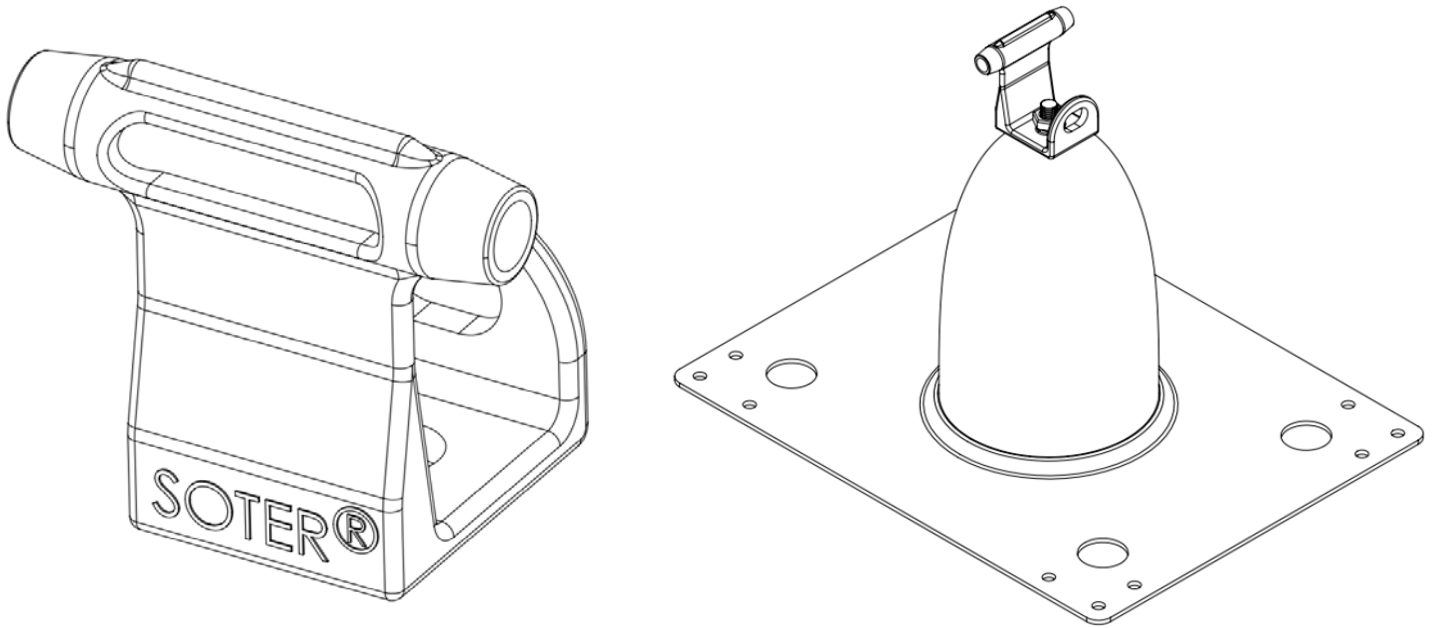


Specification

| | |
|------------------------|--------------------------------|
| Product code | FP-IB |
| Material number | 1501210 |
| Material | Stainless steel grade ANC4B |
| Finish | Polished |
| Weight (kg) | 0.240 |
| Quality | ISO 9001 |
| Conformity | EN 795:2012, CEN/TS 16415:2013 |

Application

Intermediate bracket to be fitted to Soter™ Horizontal Lifeline system post or rigid structure at spans no greater than 10m to reduce system deflection. Allows user to pass bracket with ease using the Slider travelling device even up to 45 degrees turn.



The details stated are results of tests and/or calculations and therefore are non-binding and do not represent guarantees or warranted characteristics for not specified applications. All calculations therefore have to be checked and approved by the responsible planner ahead of execution. The user is responsible to assure compliance with all applicable laws and regulations.