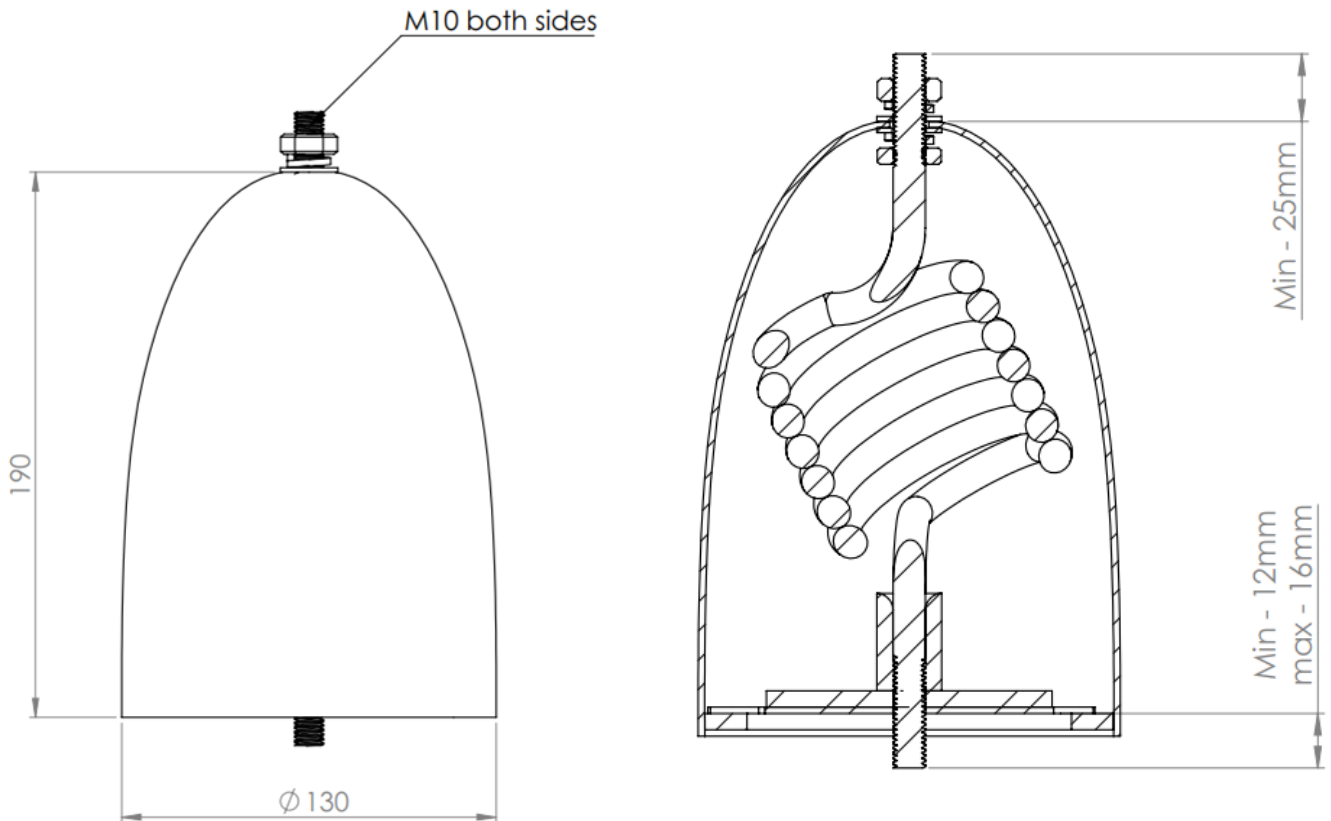


Soter™ II High Load Can Assembly

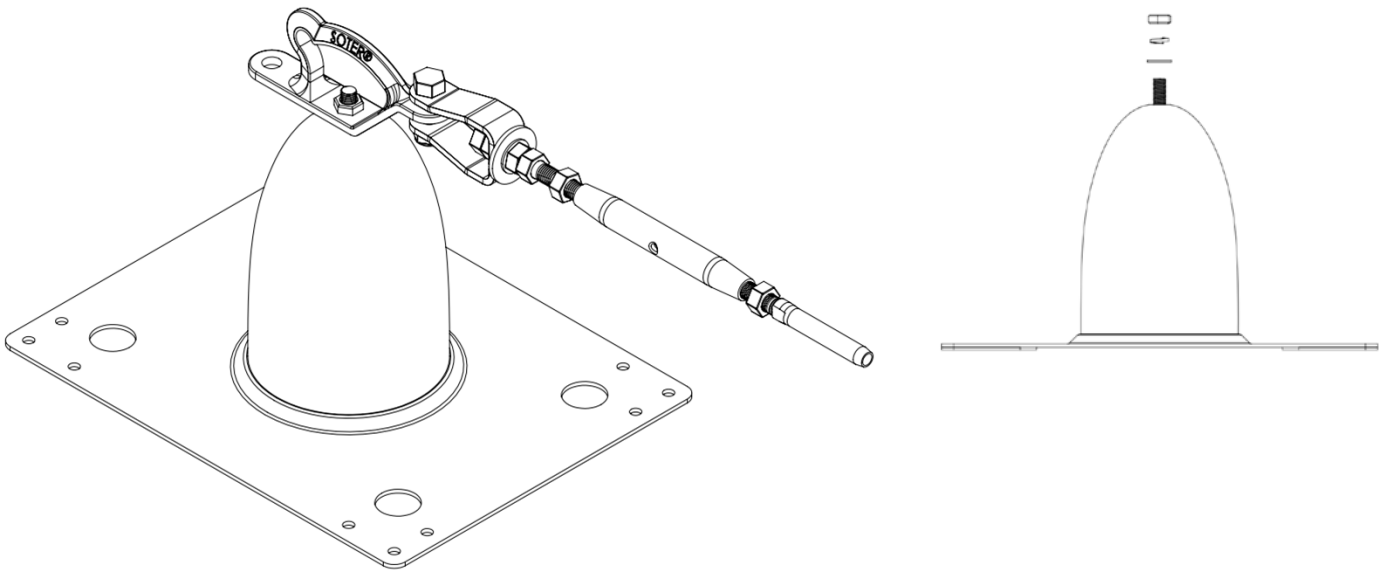


Specification

Product code	FP-A-HLA
Material number	1520732
Material	Stainless steel grade 304
Finish	Polished
Weight (kg)	2.290
Quality	ISO 9001
Conformity	EN 795:2012, CEN/TS 16415:2013

Application

Soter™ II High Load Post Assembly to be fitted to baseplate suitable for roof construction, tightened down to baseplate using strap wrench tool. Cans to be used at start, corners and ends of systems.



The details stated are results of tests and/or calculations and therefore are non-binding and do not represent guarantees or warranted characteristics for not specified applications. All calculations therefore have to be checked and approved by the responsible planner ahead of execution. The user is responsible to assure compliance with all applicable laws and regulations.