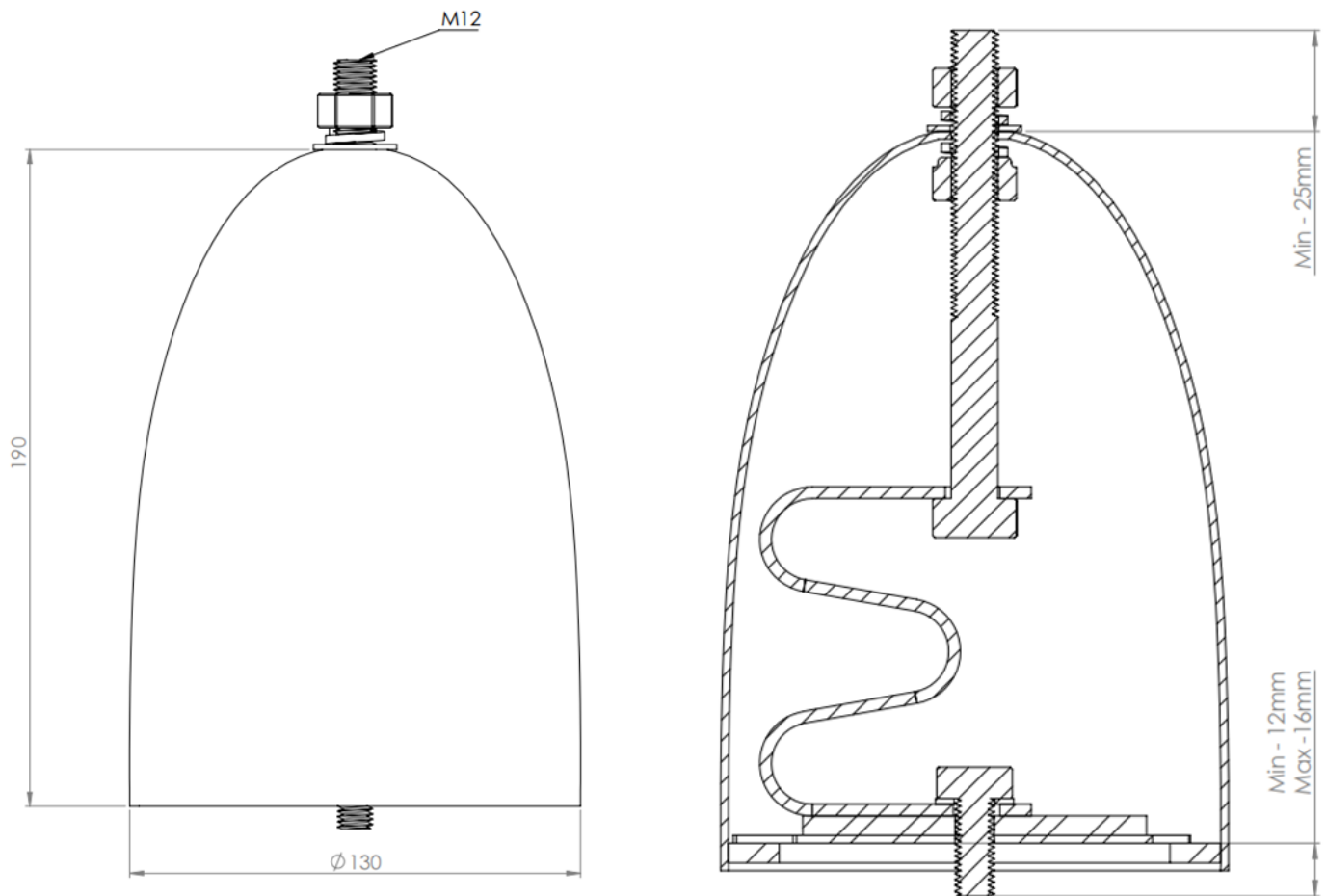


Soter™ II Intermediate Can

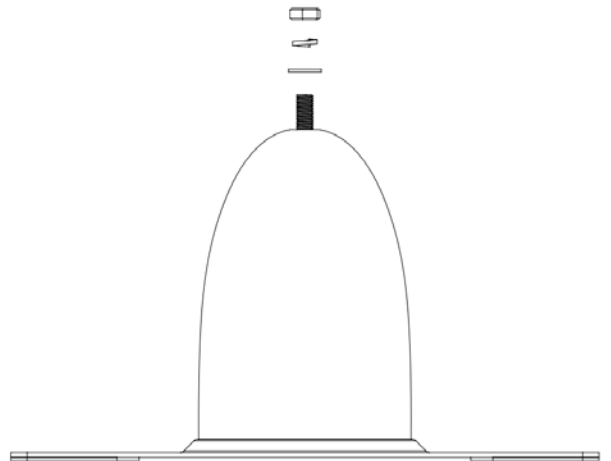
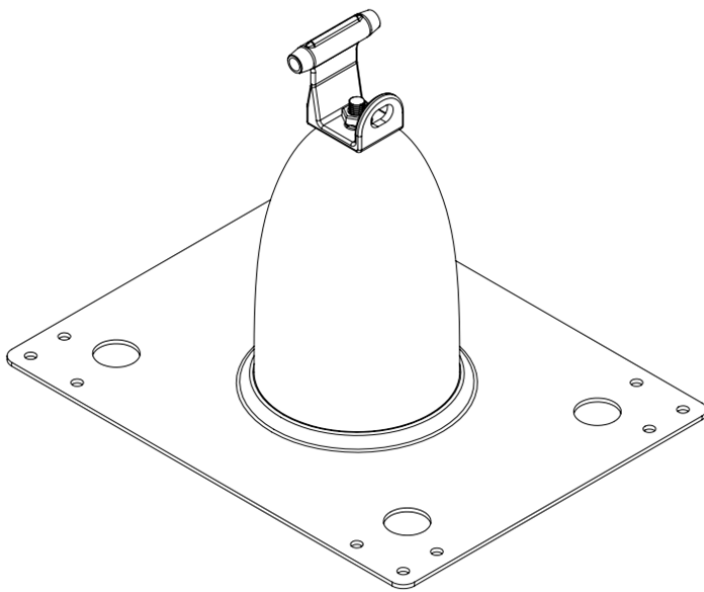


Specification

Product code	FP-A-IPA
Material number	1520733
Material	Stainless steel grade 304
Finish	Polished
Weight (kg)	1.445
Quality	ISO 9001
Conformity	EN 795:2012, CEN/TS 16415:2013

Application

Soter™ II Intermediate Can Assembly to be fitted to Multi-use baseplate suitable for roof construction, tightened down to baseplate using strap wrench tool. Posts to be used as intermediates at spans no greater than 10m. Can also be used as single point anchors.



The details stated are results of tests and/or calculations and therefore are non-binding and do not represent guarantees or warranted characteristics for not specified applications. All calculations therefore have to be checked and approved by the responsible planner ahead of execution. The user is responsible to assure compliance with all applicable laws and regulations.