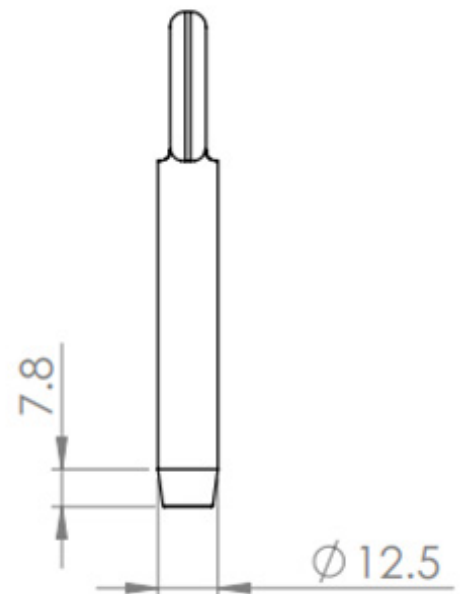
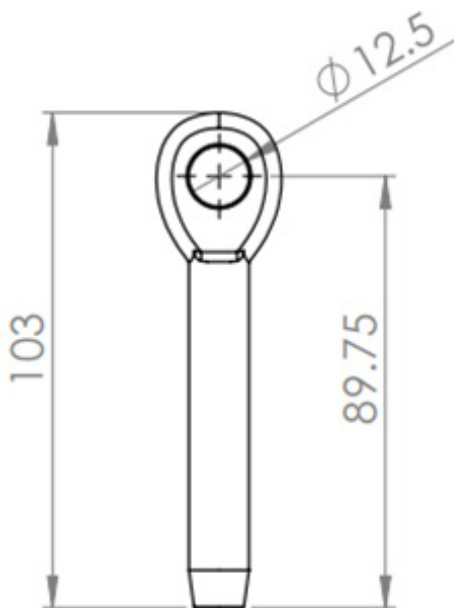
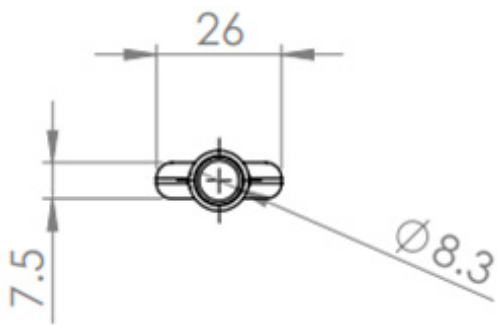


Strop End Eye



Specification

Product code	FP-AC-EY
Material number	1501249
Material	Stainless steel grade 316
Finish	Polished
Weight (kg)	0.085
Quality	ISO 9001
Conformity	EN 795:2012, CEN/TS 16415:2013

Application

Strop End Eye to be used to create an access strop from a Soter™ II high load post in conjunction with a Toggle Fork End and wire length to suit.

